

Stainless steel conveyor system XLX

PO
X45
XS
XL
XLP
X85
X85P
XH
XK
XKP
X180
X300
GR
CS
XT
XC
XF
XD

System information



Chain width 63 mm



Features

- Wide range of wet applications
- Wedge conveyors
- High speed solutions
- Many chain types available from the standard XL range

Examples of application areas

Filling lines within the food, personal products and liquid pharmaceuticals segments.

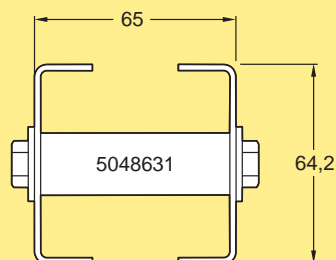
Technical characteristics

Drive unit capacity	500 N
Chain tension limit	500 N
Beam width	65 mm
Chain width	63 mm
Item width	15–140 mm
Maximum item weight	
Horizontal transport	10 kg
Vertical transport.....	2 kg
Maximum weight on conveyor.....	150 kg
Maximum conveyor length	40 m

FST
XLX
X85X
X180X
X300X
GRX
CSX
ELV
CTL
TR
APX
IDX

Beam XLX

Conveyor beam



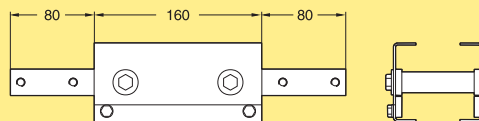
Beam

Length 3 m

Length to order (0,2–3,0 m)

XLCBX 3
XLCBX L

Beam section for chain installation



Beam section for chain installation **XLCCX 160**

Including connecting strips
Screws and nuts for the connecting strips are not included

Beam accessories XLX

Connecting strip



Connecting strip

XLCJX 6x160

Mounting: M6S 8x12 A4 (4), BRB 8,4x24 A4 (4)
Screws and nuts are not included

Slide rails XLX

Plastic slide rail for XL, X85, XH beam

XLCR 25 P/H



XLCR 25 U



Slide rail

Length 25 m

Polyethylene (PE) (Grey)

PVDF (Natural white)

UHMW-PE (White)

PA-PE (Grey)

XLCR 25

XLCR 25 P

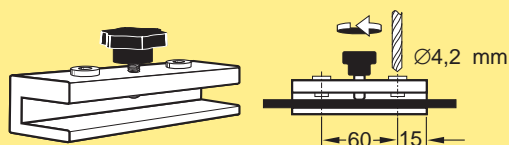
XLCR 25 U

XLCR 25 H

Installation of slide rails

See installation instructions in Appendix A, page 459, or in the separate Conveyor assembly manual.

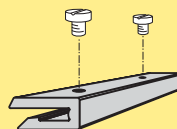
Drill fixture for slide rail



Drill fixture for slide rail

3920500

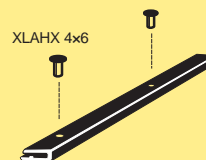
Plastic screw for slide rail



Plastic screw 5 mm for XL-X85-XH **XLAG 5**

Note. Must be ordered in multiples of 50

Stainless steel rivet



Stainless steel rivet, 4 mm

XLAHX 4x6

Note. Must be ordered in multiples of 100

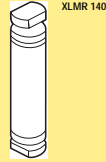
Rivet crimping pliers for XL-X85-XH



Rivet crimping pliers
For 4 mm rivets

5051395

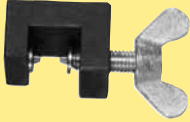
Mounting tool for slide rail



Mounting tool XL

XLMR 140

Rivet crimping clamp for XL-X85-XH

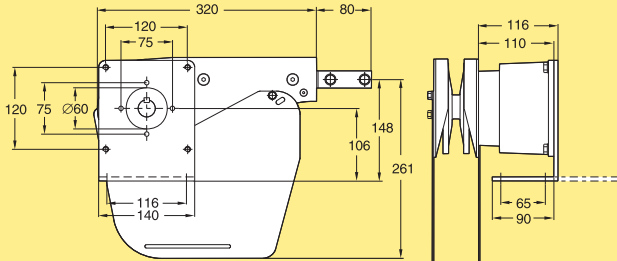


Rivet crimping clamp
For 4 mm rivets

3923005

End drive units XLX

End drive unit

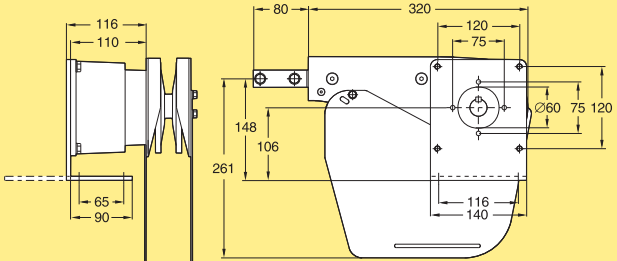


End drive unit
Transmission on left side
Fixed/variable speed *
Without motor

XLEBX
XLEBX 0 HLP

Effective track length: 0,80 m
** Use online configurator when ordering.*

End drive unit

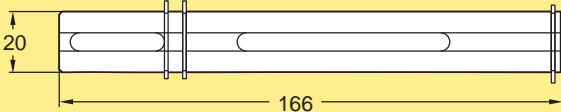


End drive unit
Transmission on right side
Fixed/variable speed *
Without motor

XLEBX
XLEBX 0 HRP

Effective track length: 0,80 m
** Use online configurator when ordering.*

Drive unit shaft kit



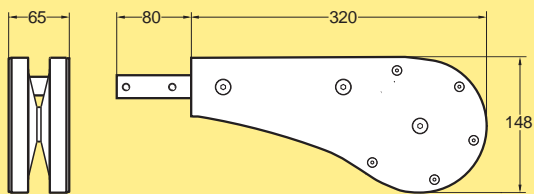
Drive unit shaft kit for stainless steel drive units Series X

5051185

For SEW SA37 gearbox. Including the necessary mounting hardware

Idler end unit XLX

Idler end unit



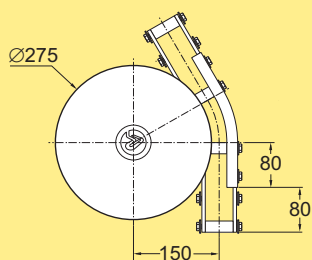
Idler end unit

XLEJX 320

Effective track length: 0,80 m

Wheel bends XLX

Wheel bend, 30°

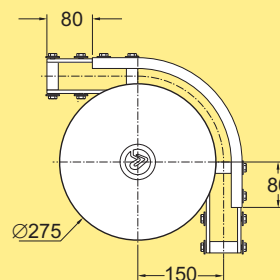


Wheel bend, 30°

XLBHX 30R150

Effective track length: 0,25 m (2-way 0,50 m)

Wheel bend, 90°

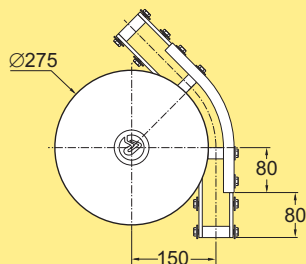


Wheel bend, 90°

XLBHX 90R150

Effective track length: 0,40 m (2-way 0,80 m)

Wheel bend, 45°

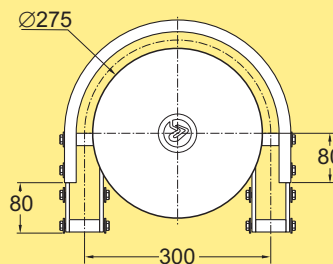


Wheel bend, 45°

XLBHX 45R150

Effective track length: 0,30 m (2-way 0,60 m)

Wheel bend, 180°

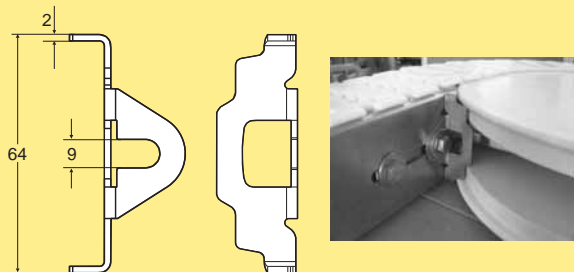


Wheel bend, 180°

XLBHX 180R150

Effective track length: 0,65 m (2-way 1,30 m)

Safety cover for wheel bend XLBHX

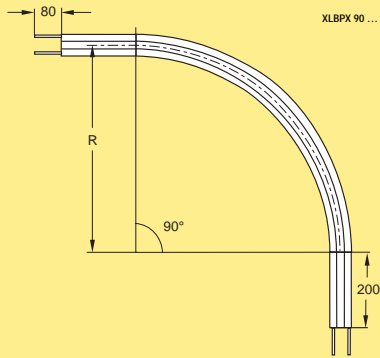


Safety cover for wheel bend XLBHX **5056997**

Each item consists of two (2) covers 5056925.
Use the existing screw and washer for assembly.

Horizontal plain bends XLX

Horizontal plain bend, 90°



Horizontal plain bend, 90°

R=500
R=1000

XLBPX 90R500
XLBPX 90R1000

Effective track lengths:

R500: 1,20 m (2-way: 2,40 m)

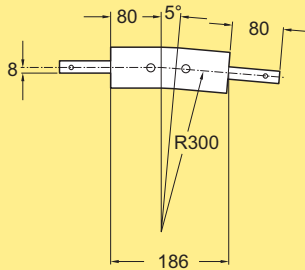
R1000: 2,00 m (2-way: 3,95 m)

Note

Other angles and radii are available on request.

Vertical bends XLX

Vertical bend 5°

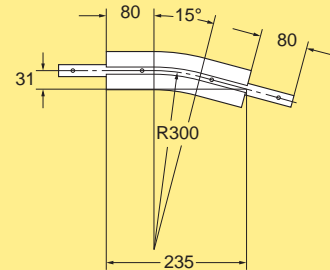


Vertical bend, 5°

XLBVX 5R300

Effective track length: 0,20 m 1-way (0,40 m 2-way)

Vertical bend 15°



Vertical bend, 15°

XLBVX 15R300

Effective track length: 0,25 m 1-way (0,50 m 2-way)

Note

Other angles and radii are available on request.

PO

X45

XS

XL

XLP

X85

X85P

XH

XK

XKP

X180

X300

GR

CS

XT

XC

XF

XD

FST

XLX

X85X

X180X

X300X

GRX

CSX

ELV

CTL

TR

APX

IDX

