

# Conveyor support components

PO  
X45  
XS  
XL  
XLP  
X85  
X85P  
XH  
XK  
XKP  
X180  
X300  
GR  
CS  
XT  
WL  
XC  
XF  
XD  
XLX  
X85X  
X180X  
X300X  
GRX  
CSX  
ELV  
CTL  
FST  
TR  
APX  
IDX

## Beams, brackets and feet



### Beams

Most conveyor support designs are based on vertical support beams combined, if necessary, with horizontal support beams. The conveyor must be supported at regular intervals not exceeding 3 m. The support beams come in dimensions suitable for all conveyor sizes.

### Beam support brackets

Conveyor beam support brackets are used to connect the conveyor to the support system. Brackets are available for connection to vertical and horizontal support beams.

### Feet

A selection of feet is available, ranging from heavy-duty die-cast aluminium feet to adjustable feet and foot plates.

### Standard support solutions

This catalogue section lists components for a selection of standard, well proven support solutions. For applications requiring special support designs, additional components can be found in catalogue sections *Structural system*.

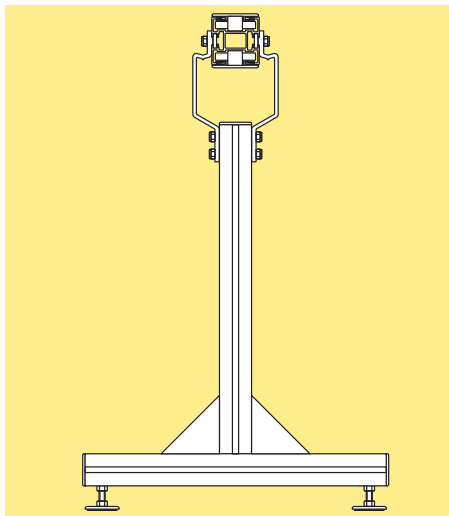
The structural system includes beams, feet, and several types of beam connecting devices, as well as a large selection of enclosure components.

### Product configurator

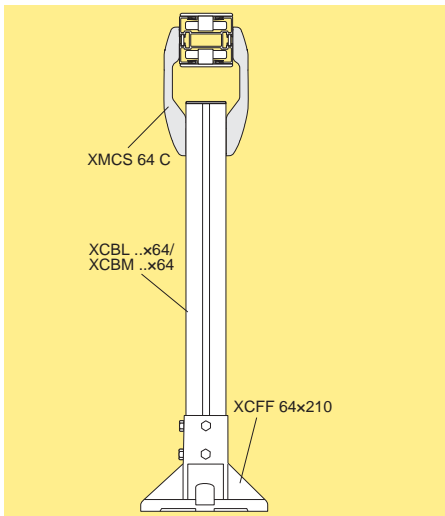
A number of standard support solutions can be ordered by means of a product configurator.

Please contact FlexLink Systems for more information.

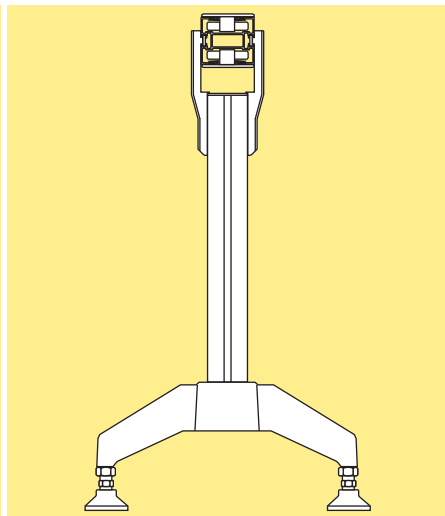
Single support XL



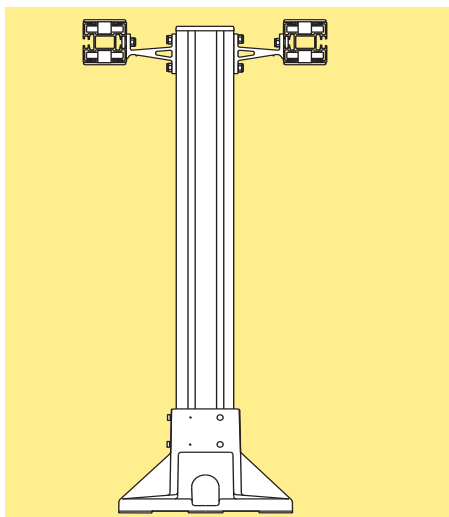
Single support X85



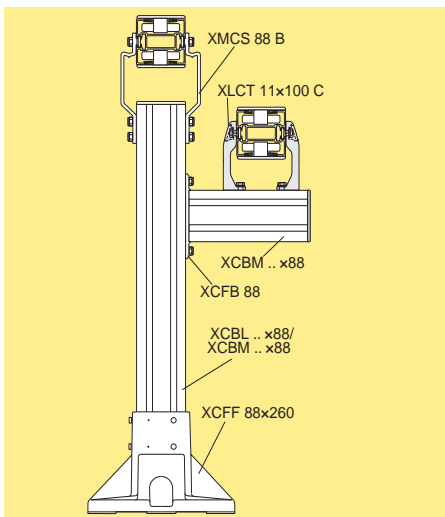
Single support X85



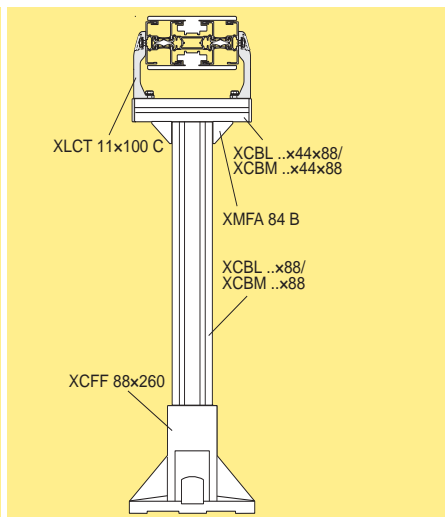
Alpine support XL



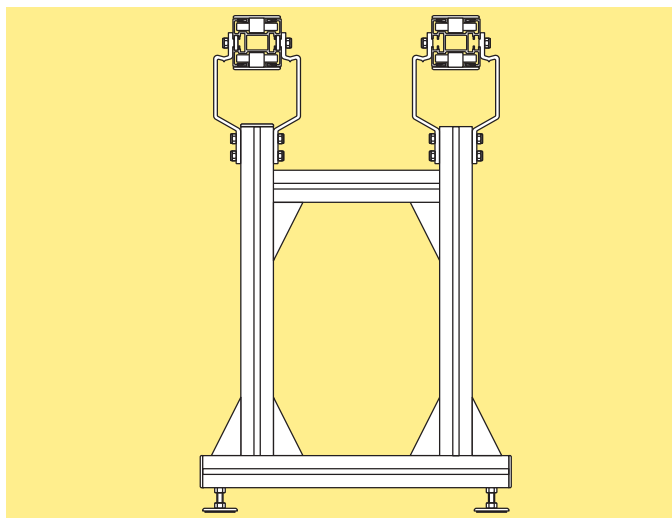
Single support – X85x2



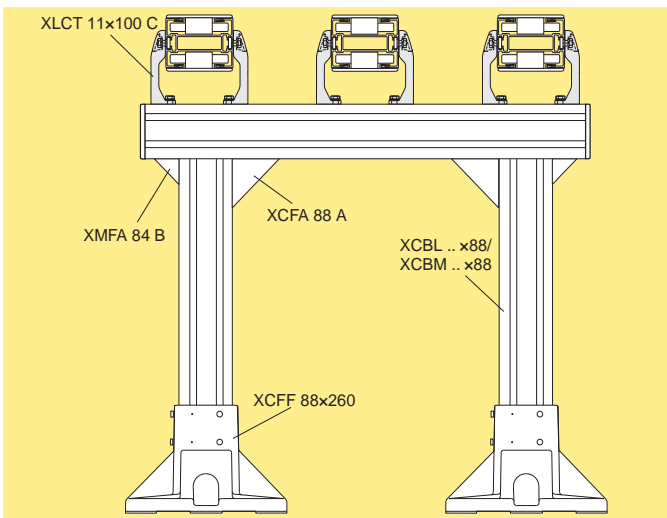
Single support X180/X300

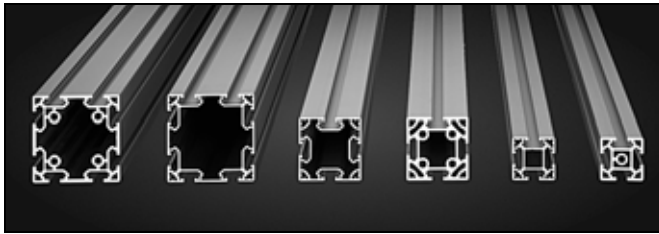


Double support – XLx2



Double support – XHx3



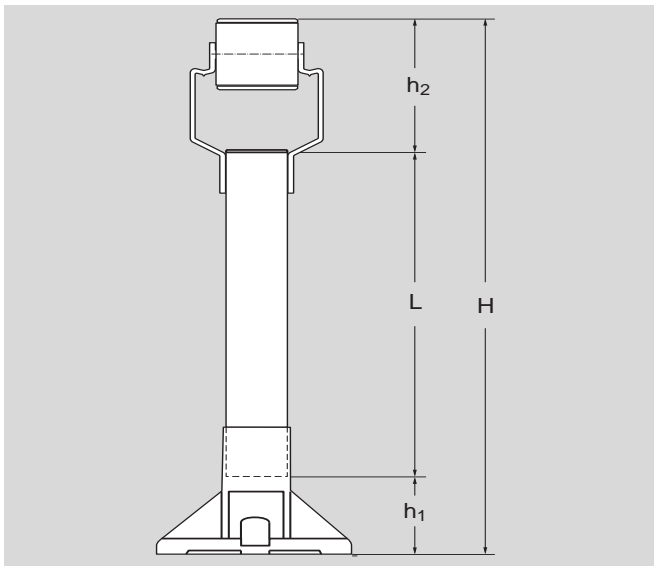


## Standard and lightweight beams

The following table lists suitable beams for conveyor support from the Structural system XC product line. The beams come in standard and lightweight versions. The standard lengths is 3 m. Beams cut to custom length (L) can also be delivered. The table also lists suitable feet and foot plates. Other foot arrangements are also possible.

Dimensions (mm)	Designation	Foot	Foot plate
44x44 standard	XCBM 3/Lx44	XCFF 44x130	XCFB 44 F
44x44 lightweight	XCBL 3/Lx44	XCFF 44x130	XCFB 44 F
64x64 standard	XCBM 3/Lx64	XCFF 64x210 XEFG 64 T/D	n.a.
64x64 lightweight	XCBL 3/Lx64	XCFF 64x210 XEFG 64 T/D	n.a.
88x88 standard	XCBM 3/Lx88	XCFF 88x260	XCFB 88 F
88x88 lightweight	XCBL 3/Lx88	XCFF 88x260	XCFB 88 F

## Beam cutting length



The beam length required to obtain a specific conveyor height H depends on the conveyor size, foot type and beam support bracket. See figure. Type CS beam support brackets are used. Read more about beam support brackets on page 284. Feet: see page 287.

In the following formula H represents the height from the floor to the top of a standard plain chain. Most support combinations permit height adjustment both at the foot and at the beam support bracket.

$$L = H - h_1 - h_2$$

## Net height of foot $h_1$

Foot type	$h_1$ mm
Foot plate XCFB 44 F/XCFB 88 F	8
Foot XCFF 44x130	0–30
Foot XCFF 64x210	0–40
Foot XCFF 88x260	0–50

## Height $h_2$ of beam support bracket + half beam height

Beam	Bracket type	$h_2$ mm				
		XS	XL	X85	XH	XK
44x44 mm	XSCS 44	156	–	–	–	–
44x44 mm	XLCS 44	–	156	–	–	–
44x44 mm	XLCS 64 P	118	–	–	–	–
44x44 mm	XMCS 64 P	–	119	–	–	–
44x44 mm	XHCS 64 P	–	–	125	–	–
64x64 mm	XSCS 64	155	–	–	–	–
64x64 mm	XLCS 64	–	155	–	–	–
64x64 mm	XLCS 64 P	–	119	–	–	–
64x64 mm	XMCS 64 C	–	–	170	–	–
64x64 mm	XMCS 64 P	–	–	125	–	–
64x64 mm	XHCS 64 B	–	–	–	181	–
64x64 mm	XHCS 64 P	–	–	–	125	–
88x88 mm	XLCS 88	–	155	–	–	–
88x88 mm	XMCS 88 B	–	–	181	–	–
88x88 mm	XHCS 88 B	–	–	–	181	–
88x88 mm	XKCS 88 R	–	–	–	–	212

See “Beam support brackets” for more information.

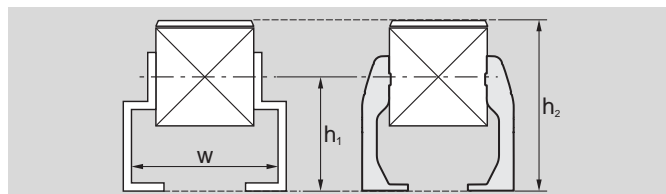
## Interconnecting support beams

Combinations of support beams are used for example to support multitrack conveyors. A selection of angle brackets and mounting plates from Structural system XC are available for interconnections. See page 286.

PO  
X45  
XS  
XL  
XLP  
X85  
X85P  
XH  
XK  
XKP  
X180  
X300  
GR  
CS  
XT  
WL  
XC  
XF  
XD  
XLX  
X85X  
X180X  
X300X  
GRX  
CSX  
ELV  
CTL  
FST  
TR  
APX  
IDX

# Beam support brackets – selection guide

## Type CT for crossing support beam 64/88 mm



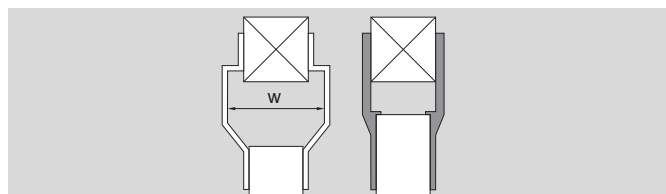
Bracket type	Height to top of chain $h_2$ mm						Comments
	XS	XL	X85	XH	XK	X180/ X300	
XLCT 11x100 C*	137	137	144	144	157	146	$h_1=100$ mm
XLCT 21x135 B	172	172	179	179	192	181	$h_1=135$ mm
XLCT 21x158 R**	195	195	202	202	215	204	$h_1=158$ mm
Width W:							
XLCT 11x100 C	87	107	127	147	147	224	
XLCT 21x135 B	87	107	127	147	147	224	
XLCT 21x158 R	67	87	107	127	127	204/322	

\* Aluminium, diecast

\*\* Type XLCT 21x158 R is intended for 88 mm crossing beam

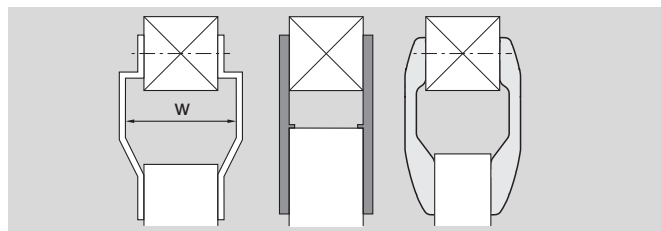
The heights above chain refer to standard plain chain.

## Type CS for vertical support beam 44 mm



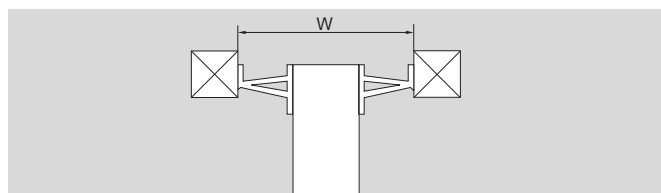
Bracket type	XS	XL	X85	XH	XK	Comments
	W mm	W mm	W mm	W mm	W mm	
XSCS 44	87	-	-	-	-	-
XLCS 44	-	107	-	-	-	-
XLCS 64 P	45	-	-	-	-	Polyamide

## Type CS for vertical support beam 64 mm



Bracket type	XS	XL	X85	XH	XK	Comments
	W mm	W mm	W mm	W mm	W mm	
XSCS 64	87	-	-	-	-	-
XLCS 64	-	107	-	-	-	-
XLCS 64 P	-	65	-	-	-	Polyamide
XMCS 64 C	-	-	107	-	-	Aluminium, diecast
XMCS 64 P	-	-	85	-	-	Polyamide
XHCS 64 B	-	-	-	147	-	-
XHCS 64 P	-	-	-	105	-	Polyamide

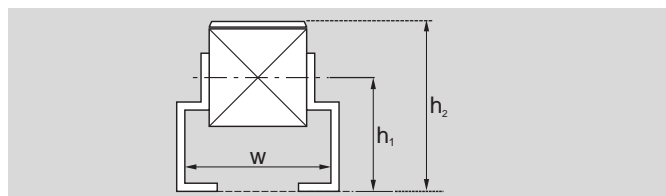
## Type CU for vertical support beam 88 mm



Bracket type	XS	XL	X85	XH	XK	Comments
	W mm	W mm	W mm	W mm	W mm	
XLCS 44	-	107	-	-	-	-
XLCS 64 P	45	-	-	-	-	Polyamide
XLCU 73	-	235	235	235	-	-
XLCU 103	-	-	-	-	295	-

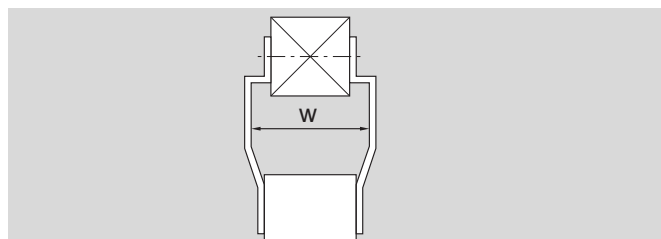
## Beam support brackets for drip trays

### Type CT for crossing support beam 64/88 mm



Bracket type	Height to top of chain $h_2$ mm				Comments
	XL	X85	XH	XK	
XLCT 21x135 B	172	179	179	192	$h_1=135$ mm
XLCT 21x158 R	195	202	202	215	$h_1=158$ mm
Width W:					
XLCT 21x135 B	107	127	147	147	
XLCT 21x158 R	107	127	147	147	

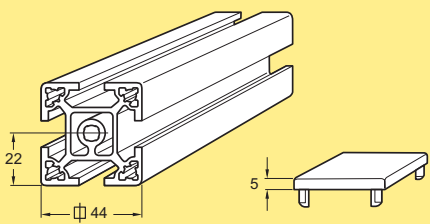
### Type CS for vertical support beam 88 mm



Bracket type	XL	X85	XH	XK	Comments
	W mm	W mm	W mm	W mm	
XLCS 88	107	-	-	-	-
XMCS 88 B	-	127	-	-	-
XHCS 88 B	-	-	147	147	-
XKCS 88 R	-	-	-	147	-

## Support beams 44 mm

**Support beam 44×44**

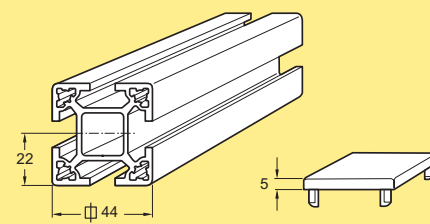


Support beam 44 mm × 44 mm  
 Length 3 m (3030 ±5 mm) **XCBM 3×44**  
 Length to order (30- 3000 mm) **XCBM L×44**

End cap, polyamide **XCBE 44\***

*\*Note. Must be ordered in multiples of 10*

**Support beam 44×44, lightweight**



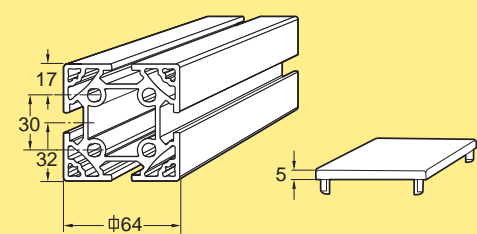
Support beam 44 mm × 44 mm, light  
 Length 3 m (3030 ±5 mm) **XCBL 3×44**  
 Length to order (30- 3000 mm) **XCBL L×44**

End cap, polyamide **XCBE 44\***

*\*Note. Must be ordered in multiples of 10*

## Support beams 64 mm

**Support beam 64×64**

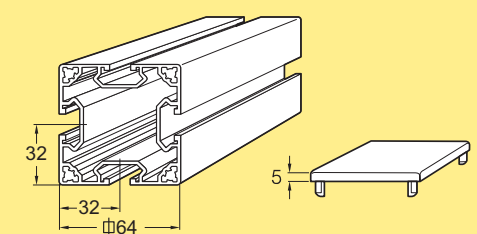


Support beam 64 mm × 64 mm  
 Length 3 m (3030 ±5 mm) **XCBM 3×64**  
 Length to order (30- 3000 mm) **XCBM L×64**

End cap, polyamide **XCBE 64\***

*\*Note. Must be ordered in multiples of 10*

**Support beam 64×64, lightweight**



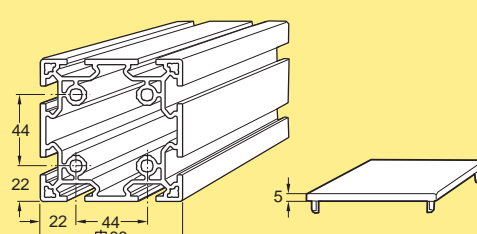
Support beam 64 mm × 64 mm, light  
 Length 3 m (3030 ±5 mm) **XCBL 3×64**  
 Length to order (30- 3000 mm) **XCBL L×64**

End cap, polyamide **XCBE 64\***

*\*Note. Must be ordered in multiples of 10*

## Support beams 88 mm

**Support beam 88×88**

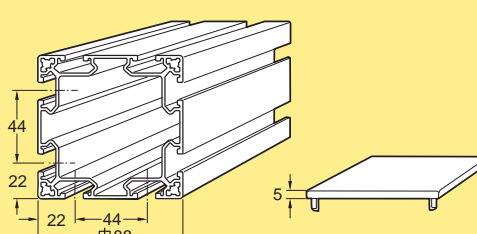


Support beam 88 mm × 88 mm  
 Length 3 m (3030 ±5 mm) **XCBM 3×88**  
 Length to order (30- 3000 mm) **XCBM L×88**

End cap, polyamide **XCBE 88\***

*\*Note. Must be ordered in multiples of 10*

**Support beam 88×88, lightweight**



Support beam 88 mm × 88 mm, light  
 Length 3 m (3030 ±5 mm) **XCBL 3×88**  
 Length to order (30- 3000 mm) **XCBL L×88**

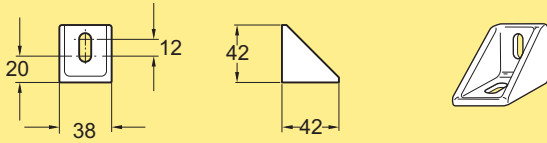
End cap, polyamide **XCBE 88\***

*\*Note. Must be ordered in multiples of 10*

PO  
 X45  
 XS  
 XL  
 XLP  
 X85  
 X85P  
 XH  
 XK  
 XKP  
 X180  
 X300  
 GR  
 CS  
 XT  
 WL  
 XC  
 XF  
 XD  
 XLX  
 X85X  
 X180X  
 X300X  
 GRX  
 CSX  
 ELV  
 CTL  
 FST  
 TR  
 APX  
 IDX

# Angle brackets and mounting plates

## Angle bracket, die-cast, 42×42×38

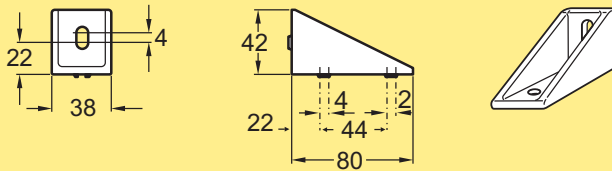


Angle bracket  
Aluminium, die-cast

**XCFA 44 B**

For use with 44×44 mm and 64×64 mm beams  
Mounting: M6S 8×16 (2), BRB 8,4×16 (2), XCAN 8 (2)

## Angle bracket, die-cast, 80×42×38

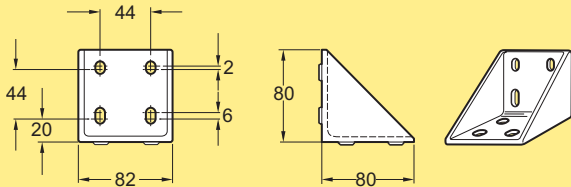


Angle bracket  
Aluminium, die-cast

**XCFA 44 C**

For use with 44×44 mm and 64×64 mm beams  
Mounting: M6S 8×16 (3), BRB 8,4×16 (3), XCAN 8 (3)

## Angle bracket, die-cast, 80×80×82

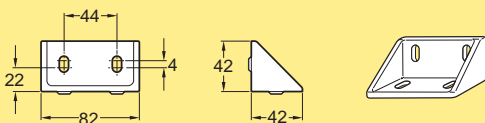


Angle bracket  
Aluminium, die-cast

**XCFA 88 A**

For use with 88×88 mm beams  
Mounting: M6S 8×16 (8), BRB 8,4×16 (8), XCAN 8 (8)

## Angle bracket, die-cast, 42×42×82

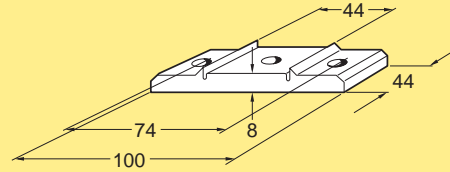


Angle bracket  
Aluminium, die-cast

**XCFA 88 B**

For use with 88×88 mm beams  
Mounting: M6S 8×16 (4), BRB 8,4×16 (4), XCAN 8 (4)

## Mounting plate 44×100

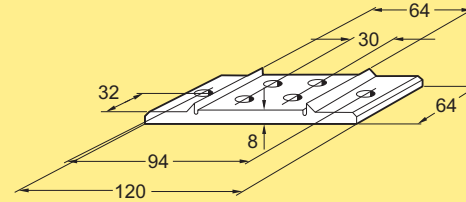


Mounting plate  
Aluminium, anodized

**XCFB 44**

For use with 44×44 mm beams (not XCBL 3/L×44).  
Mounting: M6S 8×18 (2), BRB 8,4×16 (2), XCAN 8 (2)  
+ MF6S 8×30 (1)

## Mounting plate 64×120

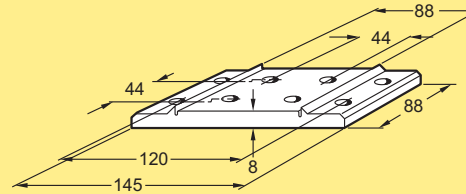


Mounting plate  
Aluminium, anodized

**XCFB 64 A**

For use with 64×64 mm XCBM type beams.  
Mounting: M6S 8×18 (2), BRB 8,4×16 (2), XCAN 8 (2)  
+ MF6S 8×30 (4)

## Mounting plate 88×145



Mounting plate  
Aluminium, anodized

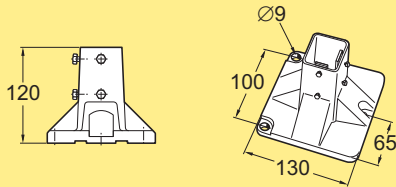
**XCFB 88**

For use with 88×88 mm XCBM type beams.  
Mounting: M6S 8×18 (4), BRB 8,4×16 (4), XCAN 8 (4),  
MF6S 8×30 (4). Cannot be used with XCBL beams.

## Feet, die-cast

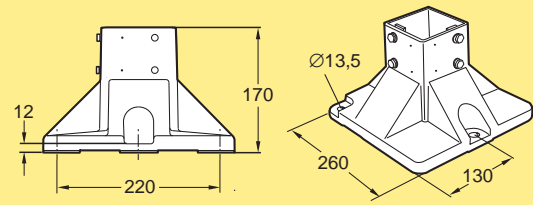
PO

### Foot 44x130



Foot for beam XCBM/XCBL ..x44  
Aluminium, die-cast **XCFF 44x130**  
Including fastener kit  
Maximum bending moment 250 Nm

### Foot 88x260



Foot for beam XCBM/XCBL ..x88  
Aluminium, die-cast **XCFF 88x260**  
Including fastener kit  
Maximum bending moment 1500 Nm

X45

XS

XL

XLP

X85

X85P

XH

XK

XKP

X180

X300

GR

CS

XT

WL

XC

XF

XD

XLX

X85X

X180X

X300X

GRX

CSX

ELV

CTL

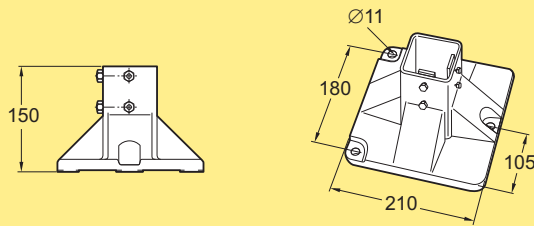
FST

TR

APX

IDX

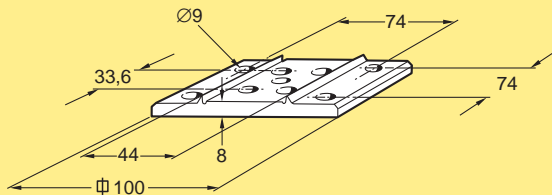
### Foot 64x210



Foot for beam XCBM/XCBL ..x64  
Aluminium, die-cast **XCFF 64x210**  
Including fastener kit  
Maximum bending moment 750 Nm

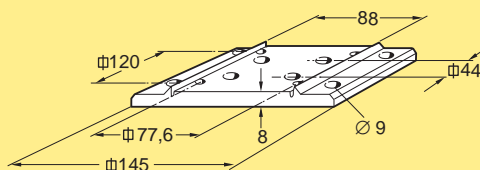
## Foot plates

### Foot plate for beam 44x44



Foot plate for beam XCBM/XCBL ..x44  
Aluminium, anodized **XCFB 44 F**  
Mounting: MF6S 8x30 (1) or MF6S 6x30 (4).  
Maximum bending moment 50 Nm

### Foot plate for beam 88x88

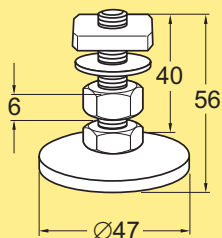


Foot plate for beam XCBM/XCBL ..x88  
Aluminium, anodized **XCFB 88 F**  
Mounting: MF6S 8x30 (4) or MF6S 6x30 (4).  
Maximum bending moment 200 Nm



## Adjustable feet

### Adjustable foot M8



Adjustable foot

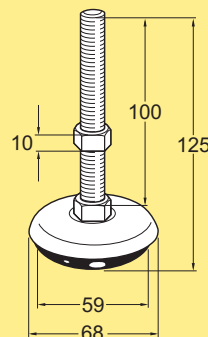
Steel, electro-zinc-plated  
M8 thread

**XLFS 8**

Including nut. Maximum vertical load 400 N

Mounting: XCFE 44 M8

### Adjustable foot M12



Adjustable foot

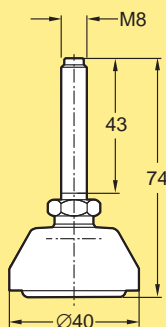
Steel, electro-zinc-plated  
M12 thread

**XCFS 12x68**

Including nut. Maximum vertical load 2500 N

Mounting: XCFE .. M12.

### Adjustable foot, polyamide, M8



Adjustable foot

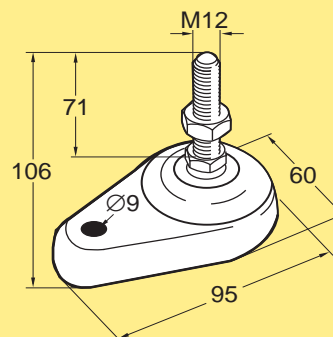
PA + steel, electro-zinc-plated  
M8 thread

**XCFS 8x40x43**

Maximum vertical load 12000 N

Mounting: XCFE 44 M8

### Adjustable foot, polyamide, M12



Adjustable foot

PA + steel, electro-zinc-plated  
M12 thread

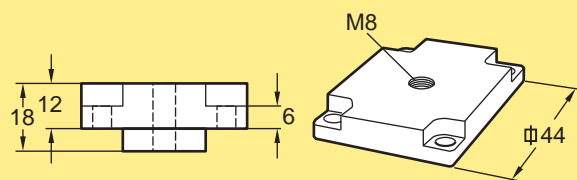
**XCFS 12x60x71**

Including nut. Maximum vertical load 15000 N

Mounting: XCFE .. M12.

## End plates

### End plate for beam 44x44, M8 thread



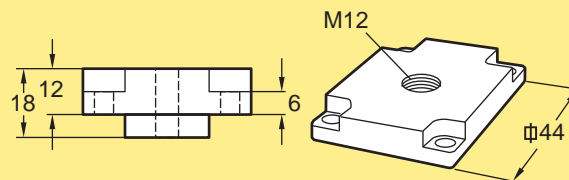
End plate for beam XCBL ...x44

M8 thread  
Zinc, die-cast

**XCFE 44 M8**

Mounting: MC6S 6x30 (4)

### End plate for beam 44x44, M12 thread



End plate for beam XCBL ...x44

M12 thread  
Zinc, die-cast

**XCFE 44 M12**

Mounting: MC6S 6x30 (4)



**End plate for beam 64×64, M12 thread**

End plate for beam  
XCBL/XCBM ...x64  
M12 thread  
Zinc, die-cast

**XCFE 64 M12A**

Mounting: MC6S 6x30 (4)

**End plate for beam 88×88, M12 thread**

End plate for beam  
XCBL/XCBM ...x88  
M12 thread  
Zinc, die-cast

**XCFE 88 M12A**

Mounting: MC6S 6x30 (4)

**Polyamide feet**

**Three-point foot for 64 mm beam**

Three-point foot for XC.. 64 beam  
D=64 mm  
Polyamide, glass-fibre reinforced

**XEFG 64 T**

Including screws and clamps.  
Maximum vertical load 800 N.

**Foot for height adjustment assembly**

Three-point foot for XEFU 500  
D=70 mm  
Polyamide, glass-fibre reinforced

**XEFG 70 T**

Including screws and clamps.  
Maximum vertical load 800 N.  
Height adjustment assembly: see page 290.

**Two-point foot for 64 mm beam**

Two-point foot for XC.. 64 beam  
D= 64 mm  
Polyamide, glass-fibre reinforced

**XEFG 64 D**

Including screws and clamps.  
Maximum vertical load 800 N.

**Adjustable foot for XEFG**

Adjustable foot for XEFG 64/70 T/D  
With ball joint and M20 locking nut  
Polyamide, glass-fibre reinforced

**XLFS 20 P**

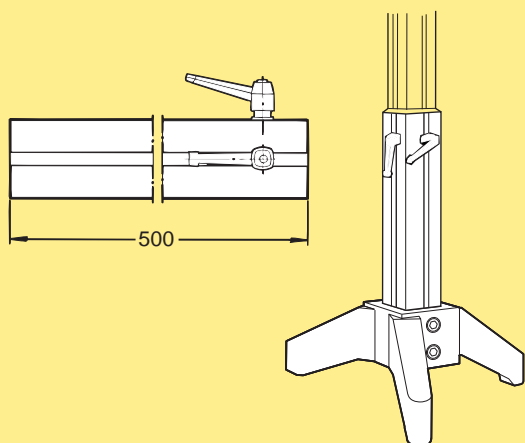
Maximum vertical load 500 N

**Vibration absorber**

Vibration absorber for XLFS 20 P  
Thermoplastic polyester

**XLFJ 69**

## Height adjustment assembly



Square section tube height adjustment assembly

Length 500 mm

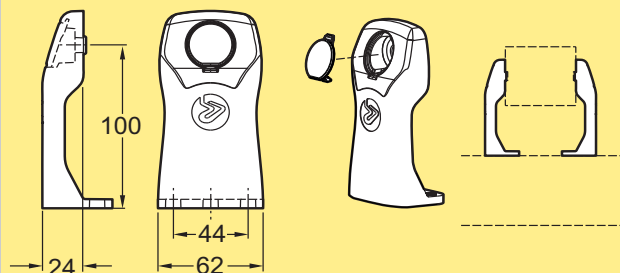
Aluminium, anodized

**XEFU 500**

To be used with foot type XEFG 70 T. Including locking levers.

Selection guide: see page 284.

## Beam support bracket – diecast aluminium



Beam support bracket, Type CT

Aluminium, diecast

**XLCT 11x100 C**

For 64 mm or 88 mm crossing support beam.

Cannot be used with drip trays

Mounting: XLAT 17 (1), XLAN 8 (1), XCAN 8 (1 or 2),

M6S 8x16 (1 or 2), BRB 8,4x16 (2 or 3)

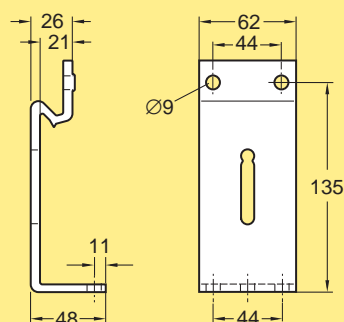
Incl. Cap 5110134 (1)

Cap, Beam support bracket

**5110196**

Kit contains 25 pcs

## Beam support bracket – aluminium



Beam support bracket, Type CT

h=135 mm, a=48,5 mm

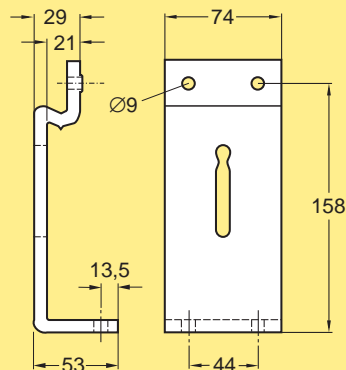
**XLCT 21x135 B**

For 64 or 88 mm crossing support beam

Mounting: XLAT 17 (2), XLAN 8 (2), XCAN 8 (2),

M6S 8x16 (2), BRB 8,4x16 (4)

## Beam support bracket – aluminium



Beam support bracket, Type CT **XLCT 21x158 R**

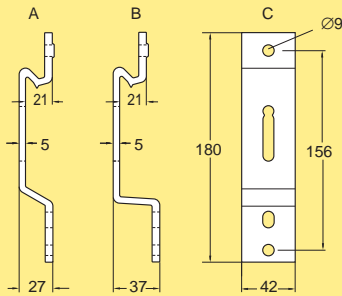
For 88 mm crossing support beam

Mounting: XLAT 24 (2), XLAN 8 (2), XCAN 8 (2),

M6S 8x16 (2), BRB 8,4x16 (4)

Selection guide: see page 284.

## Beam support bracket – aluminium, for 44 mm vertical support beam



Beam support bracket, Type CS

For XS conveyor. Fig. A, C

For XL conveyor. Fig. B, C

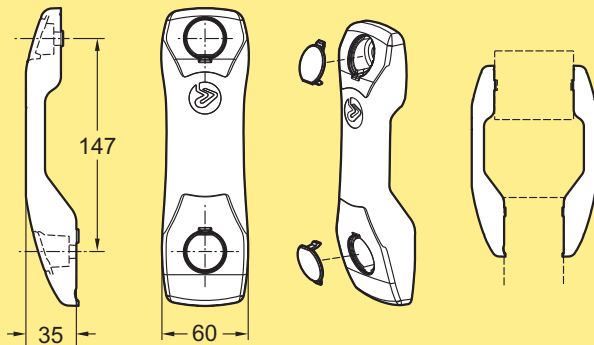
**XSCS 44**

**XLCS 44**

For 44 mm vertical support beam

Mounting: XLAT 17 (1), XLAN 8 (1), XCAN 8 (2), M6S 8x16 (2), BRB 8,4x16 (3)

## Beam support bracket, diecast aluminium, for 64 mm vertical support beam



Beam support bracket for X85,

Type CS

Aluminium, diecast

**XMCS 64 C**

For 64 mm vertical support beam

Cannot be used with drip trays

Mounting: XLAT 17 (1), XLAN 8 (1), XCAN 8 (1), M6S 8x16 (1), BRB 8,4x16 (2)

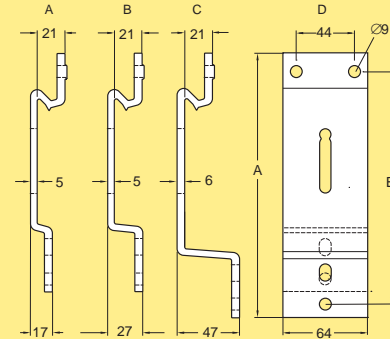
For support of X85 in-line transfer units, order M6S 8x16 screw instead of the XLAT 17 T-slot screw. Incl. Cap 5110134 (2)

Cap, Beam support bracket

**5110196**

Kit contains 25 pcs

## Beam support bracket – aluminium, for 64 mm vertical support beam



Beam support bracket, Type CS

For XS conveyor. Figure A, D

A=180 mm, B=156 mm

**XSCS 64**

For XL conveyor. Figure B, D

A=180 mm, B=156 mm

**XLCS 64**

For XH conveyor. Figure C, D

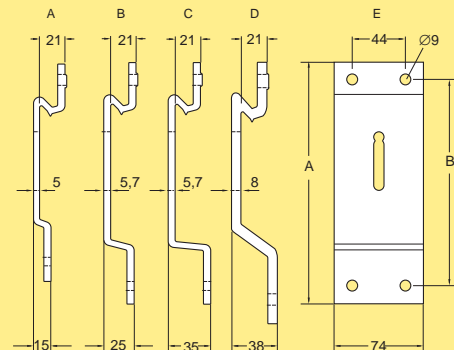
A=200 mm, B=176 mm

**XHCS 64 B**

For 64 mm vertical support beam

Mounting: XLAT 17 (2), XLAN 8 (2), XCAN 8 (2), M6S 8x16 (2), BRB 8,4x16 (4)

## Beam support bracket – aluminium, for 88 mm vertical support beam



Beam support bracket, Type CS

For XL conveyor. Fig. A, E

A=180 mm, B=151 mm

**XLCS 88**

For X85 conveyor. Fig. B, E

A=200 mm, B=171 mm

**XMCS 88 B**

For XH conveyor. Fig. C, E

A=200 mm, B=171 mm

**XHCS 88 B**

For XK conveyor. Fig. D, E

A=219 mm, B=190 mm

**XKCS 88 R\***

For 88 mm vertical support beam

Mounting: XLAT 17\* (2), XLAN 8 (2), XCAN 8 (2), M6S 8x16 (2), BRB 8,4x16 (4)

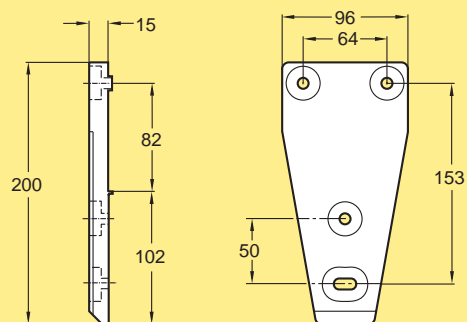
\* Use T-slot screw XLAT 24 (2) and M6S 8x20 (2) with XKCS 88 R. (XLAT 17 and M6S 8x16 are too short.)

PO  
X45  
XS  
XL  
XLP  
X85  
X85P  
XH  
XK  
XKP  
X180  
X300  
GR  
CS  
XT  
WL  
XC  
XF  
XD  
XLX  
X85X  
X180X  
X300X  
GRX  
CSX  
ELV  
CTL  
FST  
TR  
APX  
IDX

# Beam support brackets Type CS, polyamide

Selection guide: see page 284.

## Beam support bracket – polyamide

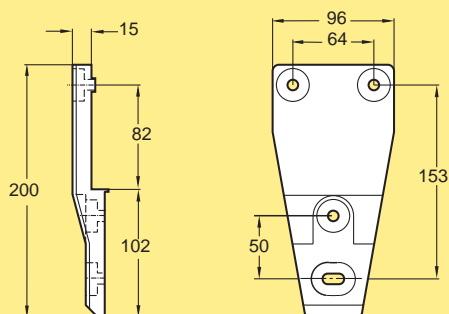


### Beam support bracket, Type CS **XLCS 64 P**

For XL conveyor with 64 mm vertical support beam.  
Also suitable for XS conveyor with 44 mm vertical support beam

Mounting: XLAT 17 (2), XLAN 8 (2), XCAN 8 (2), M6S 8x16 (2), BRB 8,4x16 (4)

## Beam support bracket – polyamide

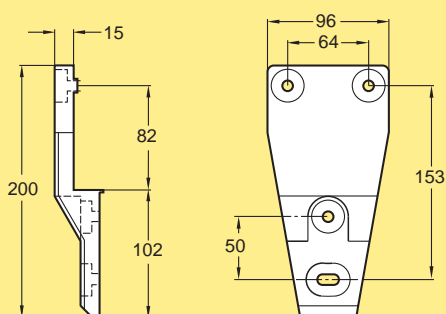


### Beam support bracket, Type CS **XMCS 64 P**

For X85 conveyor with 64 mm vertical support beam.  
Also suitable for XL conveyor with 44 mm vertical support beam

Mounting: XLAT 17 (2), XLAN 8 (2), XCAN 8 (2), M6S 8x16 (2), BRB 8,4x16 (4)

## Beam support bracket – polyamide

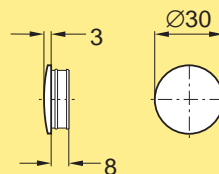


### Beam support bracket, Type CS **XHCS 64 P**

For XH conveyor with 64 mm vertical support beam.  
Also suitable for X85 conveyor with 44 mm vertical support beam

Mounting: XLAT 17 (2), XLAN 8 (2), XCAN 8 (2), M6S 8x16 (2), BRB 8,4x16 (4)

## Nut cover plug

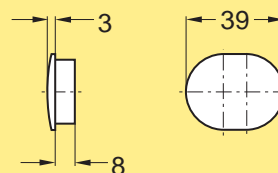


### Nut cover plug **XLAE 26**

For polyamide beam support brackets

Note. Must be ordered in multiples of 10

## Nut cover plug for elongated hole



### Nut cover plug for elongated hole **XLAE 26 E**

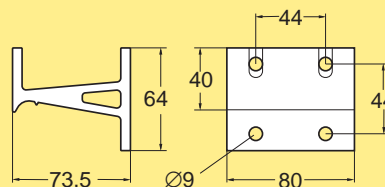
For polyamide beam support brackets

Note. Must be ordered in multiples of 10

# Beam support brackets Type CU

Selection guide: see page 284.

## Beam support bracket – aluminium

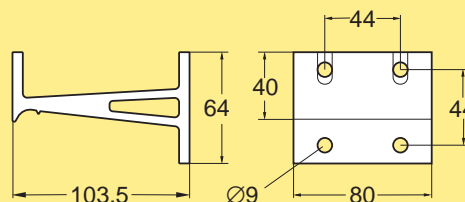


### Beam support bracket, Type CU **XLCU 73**

For support of 180° wheel bend with 88 mm vertical support beam. For conveyor systems XL, X85, XH

Mounting: XLAT 17 (2), XLAN 8 (2), XCAN 8 (4), M6S 8x16 (4), BRB 8,4x16 (6)

## Beam support bracket – aluminium



### Beam support bracket, Type CU **XLCU 103**

For support of 180° wheel bend with 88 mm vertical support beam. For conveyor system XK

Mounting: XLAT 24 (2), XLAN 8 (2), XCAN 8 (4), M6S 8x16 (4), BRB 8,4x16 (6)